



# ACCESSORIES

- |                  |              |
|------------------|--------------|
| SIGHT            | CLICKER      |
| STABILIZER       | FINGER TAB   |
| UPPER STABILIZER | CHEST GUARD  |
| DAMPER           | ARM GUARD    |
| WEIGHT / CAPS    | QUIVER       |
| BOLT / T-BLOCK   | BOW STAND    |
| V-BAR            | BOW CASE     |
| CUSHION PLUNGER  | STRETCH BAND |
| ARROW REST       |              |



# WS 700

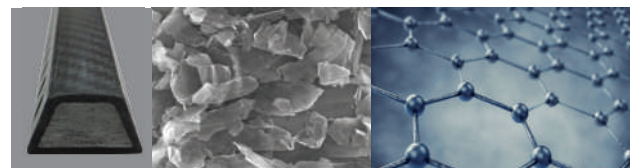


## GRAPHENE FOAM CORE

WS700 is WIN&WIN's brand new precision-machined competition sight, the evolution of the WS600 series. It has wheel tuners to accurately measure fine sight movements and a slide bar for convenient and smooth vertical adjustment. A unique bolt system securely locks the sight in place.

Graphene exclusive technology inside its carbon extension bar protects the WS700 from damaging vibration that travels through a bow when it is shot. It also keeps weight to a minimum and prevents torque during shooting.

Graphene is an atomic-scale honeycomb lattice made of carbon atoms. Graphene thickness of 0.2 nanometers is over 200 times stronger than the strongest steel and has improved shock absorption qualities over CNT(Carbon Nano Tube). That's why we call it 'the fruit of Nano technology'. Graphene foam is solid open-cell foam made of single-layer sheets of graphene. The material properties and structure provide excellent tensile strength and approximately double the impact strength over present foam materials. The use of this material in Archery products has been solely developed by WIN&WIN.

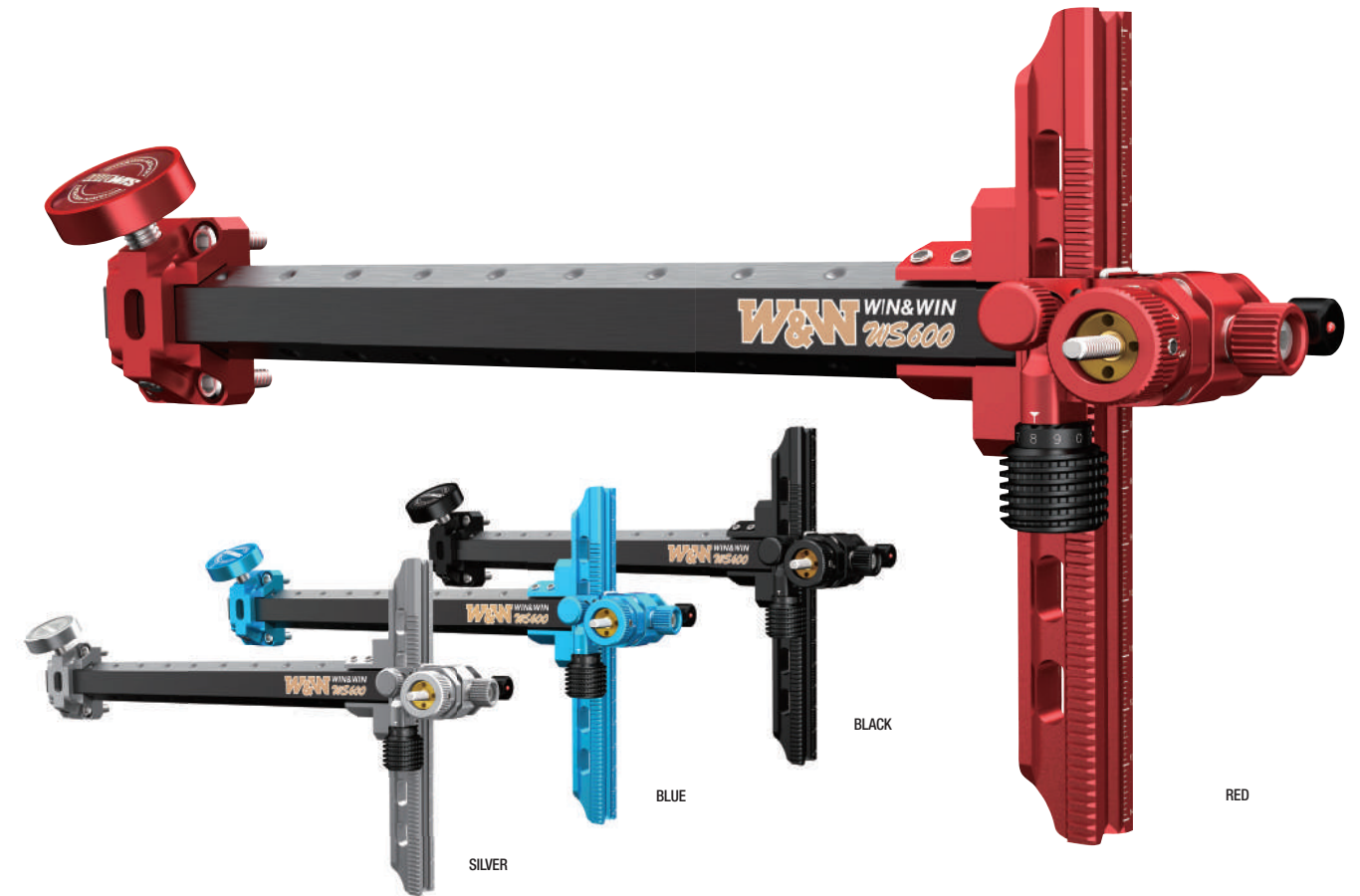


TYPE	RH / LH
WEIGHT	207 g



WIAWIS

# WS 600



## NEVER COMPROMISE YOUR AIM

WS600 is WIN&WIN's precision-machined competition sight, trusted by some of the world's best archers. It has wheel tuners to accurately measure fine sight movements and a slide bar for convenient and smooth vertical adjustment.

A unique bolt system securely locks the sight in place. Foam inside its carbon extension bar protects the WS600 from damaging vibration that travels through a bow when it is shot. It also keeps weight to a minimum and prevents torque during shooting.

TYPE	RH / LH
WEIGHT	221 g

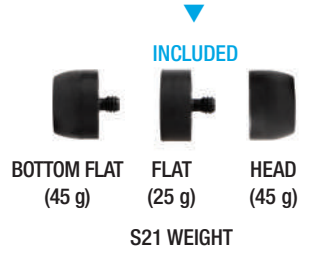
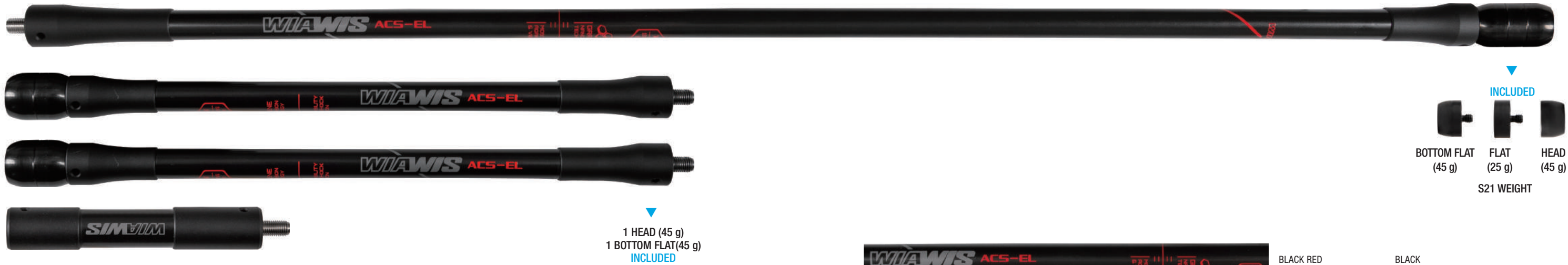


WIAWIS



# ACS-EL

The design of the ACS-EL stabilizer maximizes the performance by effectively minimizing bow torque, shock absorption and vibration characteristics

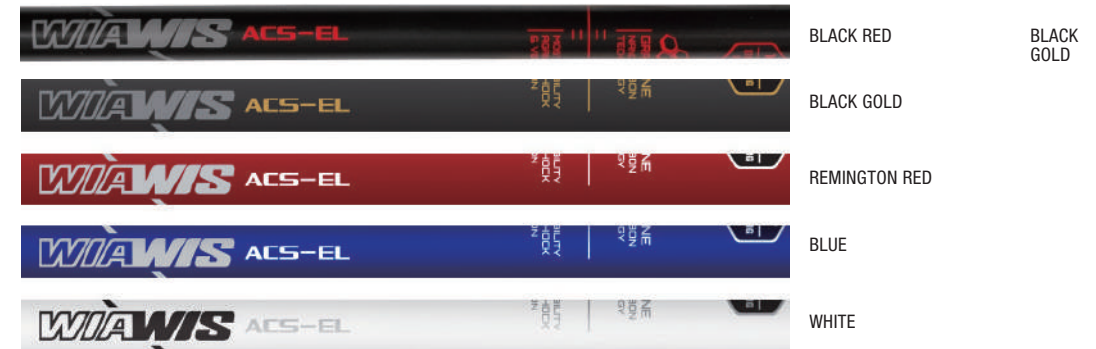


1 HEAD (45 g)  
1 BOTTOM FLAT(45 g)  
INCLUDED

## ACS-EL EXTENDER 2INCHES



LONG ROD LENGTH	26 inches (165 g)	28 inches (168 g)
	30 inches (171 g)	32 inches (176 g)
SHORT ROD LENGTH	10 inches (74 g)	11 inches (77 g)
	12 inches (80 g)	14 inches (84 g)
	15 inches (86 g)	
EXTENDER LENGTH	2 inches (58 g)	4 inches (60 g)
	3 inches (55 g)	6 inches (70 g)
	5 inches (65 g)	

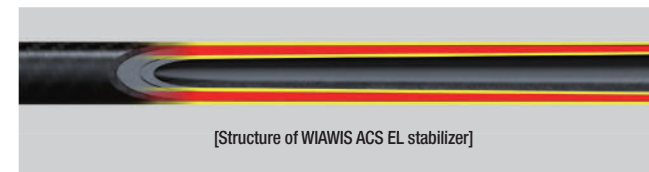
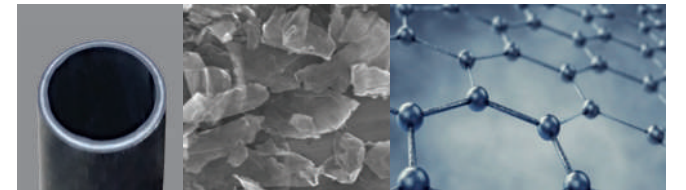


## WIAWIS STABILIZER

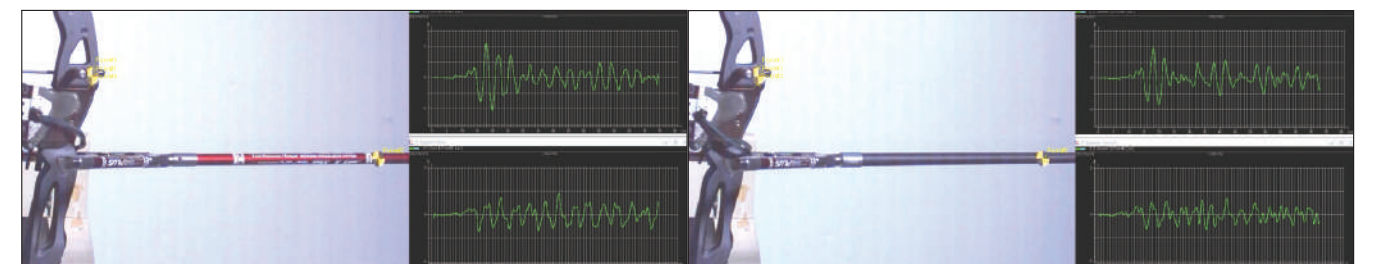
Stabilizers require to be strong and rigid to suppress bow torque during shooting. They have been designed and manufactured to effectively reduce the impact and vibration generated during shooting.

The ACS-EL stabilizer uses high-tech materials such as graphene carbon to improve stiffness and stability.

The design is also maximized performance through WIAWIS's unique carbon pattern and tapered structure.



- high Modulus carbon application
- effective stiffness and tapered structure for better shock and vibration absorption
- optimized mass weight



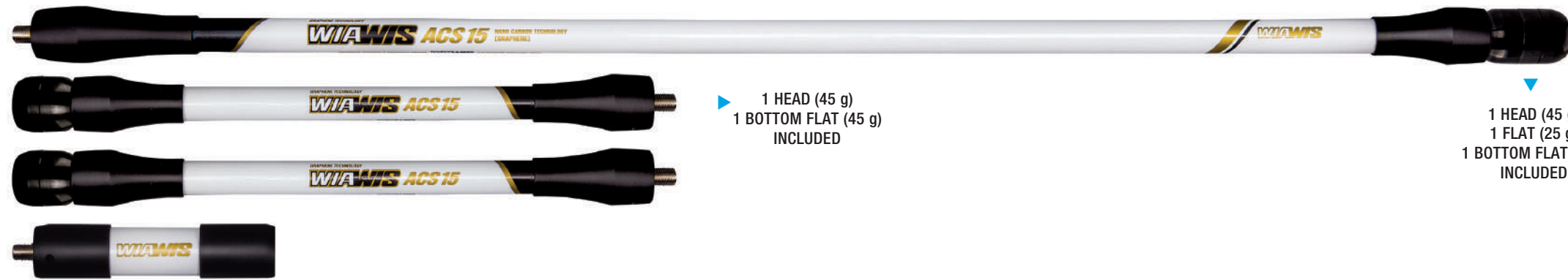
When using the WIAWIS ACS EL stabilizers on a bow, the riser movement becomes better balanced and more stable.





# ACS 15

The ACS 15 is a 15 Ø diameter, thin but weighty stabilizer with excellent shock resistance, vibration reduction, and stability, which effectively reduces the vibration and impact of shooting and improves the feeling of the shot. It has been designed not only for recurve shooters, but also for the compound market.



▶ 1 HEAD (45 g)  
1 BOTTOM FLAT (45 g)  
INCLUDED

▼ 1 HEAD (45 g)  
1 FLAT (25 g)  
1 BOTTOM FLAT(45 g)  
INCLUDED

LONG ROD LENGTH	26 inches (200 g)	28 inches (210 g)
	30 inches (220 g)	32 inches (230 g)
SHORT ROD LENGTH	10 inches (109 g)	11 inches (112 g)
	12 inches (115 g)	14 inches (124 g)
	15 inches (125 g)	
EXTENDER LENGTH	3 inches (65 g)	4 inches (80 g)
	5 inches (90 g)	6 inches (100 g)



# S21

S21 stabilizer uses the graphene carbon and tapered structures (21.0mm-17.5mm) to reduce the vibration caused by shooting more reliably. In addition, the stiffness is improved compared to HMC PLUS stabilizer, allowing compound archers to use it.



▶ 1 HEAD (45 g)  
1 BOTTOM FLAT (45 g)  
INCLUDED

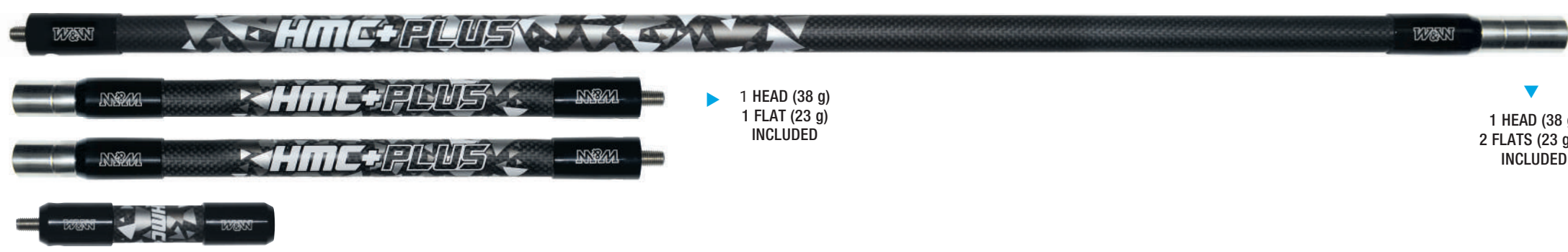
▼ 1 HEAD (45 g)  
1 FLAT (25 g)  
1 BOTTOM FLAT(45 g)  
INCLUDED

LONG ROD LENGTH	26 inches (140 g)	28 inches (150 g)
	30 inches (155 g)	32 inches (160 g)
SHORT ROD LENGTH	10 inches (85 g)	11 inches (90 g)
	12 inches (95 g)	14 inches (100 g)
	15 inches (105 g)	
EXTENDER LENGTH	3 inches (60 g)	4 inches (75 g)
	5 inches (85 g)	6 inches (90 g)



# HMC PLUS

HMC PLUS stabilizer is a best-selling product over a long period of time at WIN AND WIN Co., Ltd. It is made of High Modulus carbon and the outside diameter is 18.5 mm straight (internal tapered) stabilizer, which can be used in all weather conditions regardless of the performance of men and women.



▶ 1 HEAD (38 g)  
1 FLAT (23 g)  
INCLUDED

▼ 1 HEAD (38 g)  
2 FLATS (23 g\*2)  
INCLUDED

LONG ROD LENGTH	26 inches (111 g)	28 inches (116 g)
	30 inches (122 g)	
SHORT ROD LENGTH	10 inches (80 g)	11 inches (84 g)
	12 inches (89 g)	
EXTENDER LENGTH	3 inches (50 g)	4 inches (65 g)
	5 inches (75 g)	6 inches (80 g)



# UPPER STABILIZER



## ACS-ST CARBON UPPER STABILIZER

The ACS-ST CARBON UPPER STABILIZER has an increased carbon content of the carbon tube to reduce the impact of shooting more effectively. A stainless steel cap provides increased weight and strength to increase shooting feeling.

LENGTH	120 mm	WEIGHT	185 g
THREAD SIZE	5/16"-24		

### COLORS



MATT BLACK MATT GOLD MATT SILVER RAINBOW



## ACS-EL CARBON UPPER STABILIZER

The ACS-EL Carbon Upper Stabilizer's all-carbon core suppresses vibration and bow torque quickly at release along with a help of Multi Damper attached.

LENGTH	125 mm	WEIGHT	125 g
THREAD SIZE	5/16"-24		

### COLORS



MATT BLACK MATT RED MATT BLUE RAINBOW



## ACS CARBON UPPER STABILIZER

Carbon bar, multi damper and aluminum body-well-balanced in three parts help efficient vibration and bow torque control.

LENGTH	125 mm	WEIGHT	125 g
THREAD SIZE	5/16"-24		

### COLORS



MATT BLACK MATT RED MATT BLUE GLOSSY RAINBOW GLOSSY GOLD GLOSSY SILVER

# DAMPER



## WIAWIS MULTI DAMPER

WIAWIS MULTI damper is designed to reduce vibration quickly caused by shocks during shooting and to reduce secondary vibrations after shooting from special material and strength of the damper.

It is also designed to be used with various types of bows such as up, long and short stabilizer and weight control dampers under the grip by using the screws of 1/4-20 and 5/16-24. The damper is available not only for recurve bow but also for compound bow.

LENGTH	38 mm	WEIGHT	48 g
COLORS	BLACK		



## ACS DAMPER

After much research and development by the Win&Win team on the shape and length of vibration waves with stabilizers, Win&Win has released their WIAWIS ACS Damper. The ACS Damper is far superior in absorbing vibration.

LENGTH	50 mm	WEIGHT	33 g
THREAD SIZE	1/4"-20	COLORS	BLACK



BW DAMPER

BW SHORT DAMPER

## BW&BW SHORT DAMPER

BW dampers are made from an absorbent rubber material that nearly eliminates vibration during shooting and controls poor movement in equipment after the shot.

LENGTH	BWD : 40 mm	BWD SHORT : 25 mm	
WEIGHT	BWD : 45.5 g	BWD SHORT : 32.5 g	
THREAD SIZE	1/4"-20	COLORS	BLACK



MATHEWS® HARMONIC DAMPER

MATHEWS® EHS™ HARMONIC DAMPER

## MATHEWS® HARMONIC DAMPER

WEIGHT	10 g	COLORS	BLACK
--------	------	--------	-------

## MATHEWS® EHS™ HARMONIC DAMPER

WEIGHT	32 g	COLORS	BLACK
--------	------	--------	-------



# WEIGHT

## DISC COLOR WEIGHT

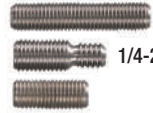
WIAWIS DISC COLOR weight products are made in three weights and four colors. It was designed to allow archers to set their own weight and color freely.

In order to apply both 1 / 4-20 and 5 / 16-24 threaded parts to the bows, Three types of screws are included below

WEIGHT - 20 g / 40 g / 60 g

\*included screws

- 40mm screw 5/16-24
- 23mm screw 5/16-24 1/4-20
- 20mm screw 5/16-24



### WEIGHT



### COLORS



## COLOR WEIGHTS

WEIGHT - Head 40 g / Flat 23 g



### COLORS



## WIN WEIGHT(HMC PLUS)

WEIGHT - Head 38 g / Flat 23 g



## S21 WEIGHT

WEIGHT - Head 45 g / Flat 25 g / Bottom 45 g



# CAPS



## META CAP

META CAP is a product designed to make the META DX and ATF-DX risers lighter when the user wants it. You can remove either the assembled MATHEWS® EHST™ HARMONIC DAMPERS or MATHEWS® HARMONIC DAMPER on its own, or both if required. You can then replace them by inserting the META CAPS into the empty holes.

SIZE	32 ø (mm)	COLORS	BLACK
WEIGHT	9 g	MATERIAL	SILICONE

# BOLTS

## TILLER ADJUSTMENT BOLT

All tiller bolts are 13mm diameter and are compatible with any type of WIAWIS risers.

### COLOR ALUMINUM TILLER BOLT



### COLOR STAINLESS STEEL TILLER BOLT



### ATF-DX ALUMINUM TILLER BOLT



### META-DX STAINLESS STEEL TILLER BOLT



### TFT-G ALUMINUM TILLER BOLT



### CXT STAINLESS TILLER BOLT



## LIMB BOLT

WEIGHT - 2g

(\*original stainless steel limb bolt weighs 6grams)

### COLORS

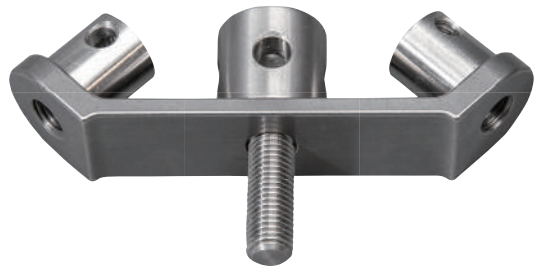


## DX T-BLOCK

TYPE - CARBON HANDLE TYPE / ALUMINUM HANDLE TYPE



# V-BAR



## WIAWIS SUS V-BAR

This is a new concept of V-Bar made from strong stainless steel with enhanced design. It has a reduced mass compared to a standard V-Bar and is designed to quickly transfer the shooting shock/vibration through into the stabilization. It helps to make the shooting feel more stable.

WEIGHT	115 g	COLORS	Satin
--------	-------	--------	-------

TWO STRAIGHT ANGLES - 40, 45 degrees



## WIAWIS CX-AD V-BAR

The adjustable carbon V-Bar allows the elevation angle of the short stabilizers by movement up and down. It is made from carbon fiber which makes it lighter than any other adjustable V-Bar. The vibration absorption properties are excellent which will enhance the archers concentration and feeling during shooting. It offers the adjustability to fix the short rods in any configuration possible to suit individual archer personal feeling requirements.

WEIGHT	198 g	COLORS	Carbon Matt or Carbon Glossy
--------	-------	--------	------------------------------

## WIAWIS S21 V-BAR

Though most shock that occurs when shooting is absorbed by a stabilizer and V-Bar, some vibration returns to the riser and makes consistent accuracy difficult. WIAWIS S21 V-Bar is designed to absorb shock more efficiently, and increase shooting consistency by minimizing the vibration. Create your perfect stabilization system!

WEIGHT	120 g	COLORS	Carbon Matt or Carbon Glossy
--------	-------	--------	------------------------------

FOUR STRAIGHT ANGLES - 35, 40, 45 & 42 degrees



## WIAWIS CX2 V-BAR

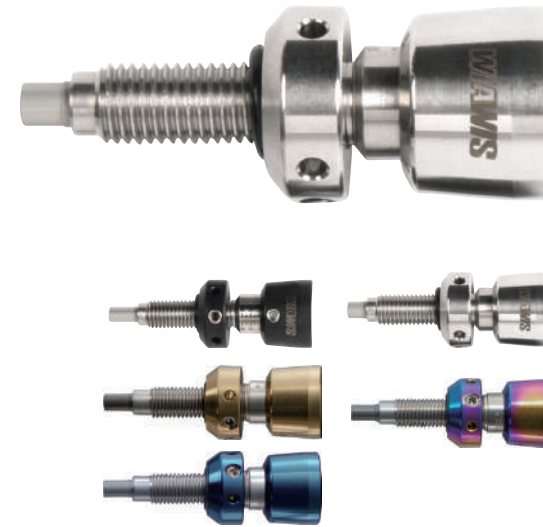
WIAWIS CX2 V-Bar is designed to absorb shock, and increase shooting consistency by minimizing the vibration that returns back into the riser.

WEIGHT	86 g	COLORS	Carbon Matt
--------	------	--------	-------------

THREE STRAIGHT ANGLES - 35, 40, 45 degrees



# CUSHION PLUNGER / REST



## MIGHTY CUSHION PLUNGER

MIGHTY cushion plunger is designed to enhance the concentration in a optimized size, and the aluminum material offers luxurious finish and gentle button action.

MATERIAL	Stainless steel	WEIGHT	43 g
THREAD SIZE	5/16"-24	COLORS	Black, Silver Gold, Rainbow, Blue
ADJUSTABLE LENGTH	min 24.0 mm – max 29.0 mm (29 mm pressure point) min 17.5 mm – max 24.0 mm (24 mm pressure point)		



## SP ARROW REST

TYPE	RH / LH	COLORS	Black, Silver Gold, Rainbow, Blue
------	---------	--------	--------------------------------------



## WMR200 ARROW REST

WIN&WIN's recurve arrow rest uses a flipper-style arm to improve accuracy and ensure smooth shooting. It incorporates a bearing that tightens groups on the target while providing superb clearance. The arm is stiff and stable, minimizing the vertical movement that interferes with clean arrow flight.

TYPE	RH / LH	COLORS	Black, Silver
------	---------	--------	---------------



# CLICKER



## ARC CLICKER

In existing ACS clickers, we reinforced the blade to have an arch shape allowing an arrow to be placed in the clicker without using a finger.

SIZES	6-32, 4-40 or M4	MATERIAL	Carbon
STRENGTH	SOFT / HARD		

### COLORS



## ACS CLICKER

The sleekly-shaped plate with a metal cap gives you a crystal-clear 'click' sound, with easier and more precise adjustment than before.

SIZES	6-32, 4-40 or M4	MATERIAL	Carbon
STRENGTH	SOFT / HARD		

### COLORS



## COLOR CLICKER

As precisely machined stainless steel clicker, it provides accurate and stable timing when aiming. In addition, the tightening part of the clicker is ergonomically designed by allowing easy adjustment of the upper and lower and the front and the rear positions of the clicker by simple locking and loosening .

SIZES	6-32, 4-40 or M4	MATERIAL	Stainless steel
BLADE COLORS	Black, Rainbow, Gold, Silver		
CAP&WHEEL COLORS	Black or White		

# FINGER TAB

## EZ FINGER TAB

The EZ finger tab is designed with an adjustable plate to perfectly fit your palm and allow for comfortable and natural hooking. The plate can be precisely adjusted to fit your hand by moving the plate in three planes :

up and down, front and back, and diagonally. The small size of the tab takes away obstructions. The tab is made from reliable, high-quality genuine Cordovan leather.

TYPE	RH/LH	SIZE	XSmall, Small, Medium, Large
------	-------	------	------------------------------

CORDOVAN LEATHER SOLD SEPARATELY



## EZ R FINGER TAB

The round design of the EZ R Tab and unique sliding adjustments allow for comfortable thumb positioning and natural hooking. The unique plate positioning brings dynamic control over the WIAWIS EZ R finger tab. It is possible to control factors such as hand shape, the force being transmitted through the hand, and sensation of the shot. The plate that supports the little finger can be micro-adjusted and is also detachable. The tab is made from reliable, high-quality genuine Cordovan leather.

TYPE	RH/LH	SIZE	XSmall, Small, Medium, Large
------	-------	------	------------------------------

CORDOVAN LEATHER SOLD SEPARATELY



## 360 CORDOVAN FINGER TAB

360 Cordovan finger tab has long been loved by many archers for many year. The 360 finger tab is designed using cordovan leather, exchangeable with archers' comfort in mind.

TYPE	RH/LH	SIZE	Small, Medium, Large
------	-------	------	----------------------

CORDOVAN LEATHER SOLD SEPARATELY





# ACCESSORIES

## FINNO CHEST GUARD

Ergonomically designed to sit securely and consistently on the shoulder and around the chest shot after shot, FINNO Chest Guard was designed by archers for archers!

TYPE	RH / LH	SIZE	Small, Medium, Large
------	---------	------	----------------------

### COLORS



## AT-100 ARM GUARD

AT-100 Arm Guard has a skeleton-like structure with all the unnecessary parts cut out, making it extremely light and comfortable to wear. Its smooth outer surface creates less friction when impacted by the string.

### COLORS



## A-3 QUIVER

The total weight is dropped significantly and a cushioned belt provides a comfortable fit. Magnets at the bottom of the quiver make arrow carrying easy and multiple pockets allow you to carry all kinds of accessories.

TYPE	RH / LH
BELT SIZE	Adjustable from 23 to 49 inches

\*THREE ARROW TUBES



## CARBON BOW STAND

Unlike existing carbon bow stands, the string rest of the WIAWIS CARBON BOW STAND is designed to minimize any damage to the string, enhancing the durability of the stand. The string rest can be freely adjusted up and down to facilitate individual bow requirements. The head of the stand is designed to provide a sense of unity with the grip of the riser, and is made from a silicon material for more stable positioning.

Base fixing pins are provided in two different lengths to allow tailoring to the shooting field conditions. This give versatility to allow a solid/stable bow stand to protect your equipment.



## TY MULTI BOW STAND

Suitable for indoor and outdoor use, the TY Multi Bow Stand is solidly built and a reliable bow support in all conditions. It is light yet strong and durable, its flip-lock legs fold up for easy storage and comes with two types of cradle head.

Stable in any conditions with more firmly designed rest.

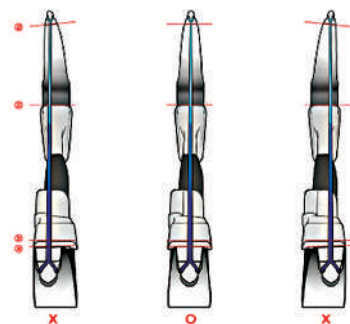






Check the center-shot at set-up and full draw of the bow

## TW-BRACE



The best way to check the alignment of the limbs along with your handle is when the bow is put at full draw. We have created the best tool to achieve it! The WIAWIS TW-BRACE allows a safe setup of your bow.

**CAUTION :**  
Do not draw over 29" (marked red dot) or the TW-BRACE could collapse.



## WIAWIS BOW CASE

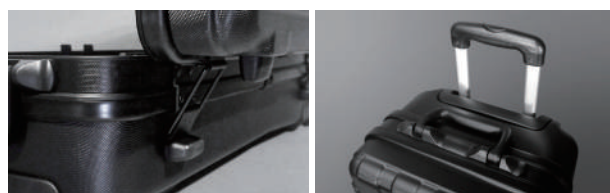
SIZE	850x370x230 (mm)
COLORS	Black, Sand Beige



## ABS BOW CASE

Protecting archery equipment is essential, and that is why the ABS Bowcase has such a solid outer shell. The smart design includes an extendable trolley handle, but does not sacrifice space for its impressive durability. Inside, there is plenty of room to store and organize a variety of archery gear.

SIZE	INNER - 830x330x205 (mm) OUTER - 878x348x219 (mm)
COLORS	Black, Silver



## WIAWIS SPANNER WRENCH

This tool is designed to help effectively tighten or loosen the WIAWIS stabilizers. 5mm and 4mm Allen wrenches are included in this spanner, replacing your existing tools. Simply carry this one tool for all your stabilizer needs. WIAWIS SPANNER Wrench can also be used for non-WIN&WIN products as long as there is a hole in the end-cap of the stabilizer.



## ARROW PULLER

The solid gripping surface on WIAWIS arrow puller makes retrieving arrows from the target safe and easy. It fits comfortably in the hand, includes a keyring for attachment to a belt or pack. Shaped like a cat!



## SCAPOWER STRETCH BAND

Used as an exercise tool, the SCAPOWER Stretch Band will increase an archer's pulling weight, build up muscle and develop firmness in the shoulder.

It can also be used to improve posture and technique. Daily practice is recommended : 10 minutes at a time with at least a 2 or 3 minute break. It does not take long to see improvement in shot placement, draw process and balance in the bow shoulder. Try it for yourself!



## BALL STRETCH BAND

Used as an exercise tool, WIAWIS BALL Stretch Band will increase archer's strength & flexibility. The archer's posture and technique will be improved with this.

COLORS	Black, Red, Blue, Yellow
--------	--------------------------

